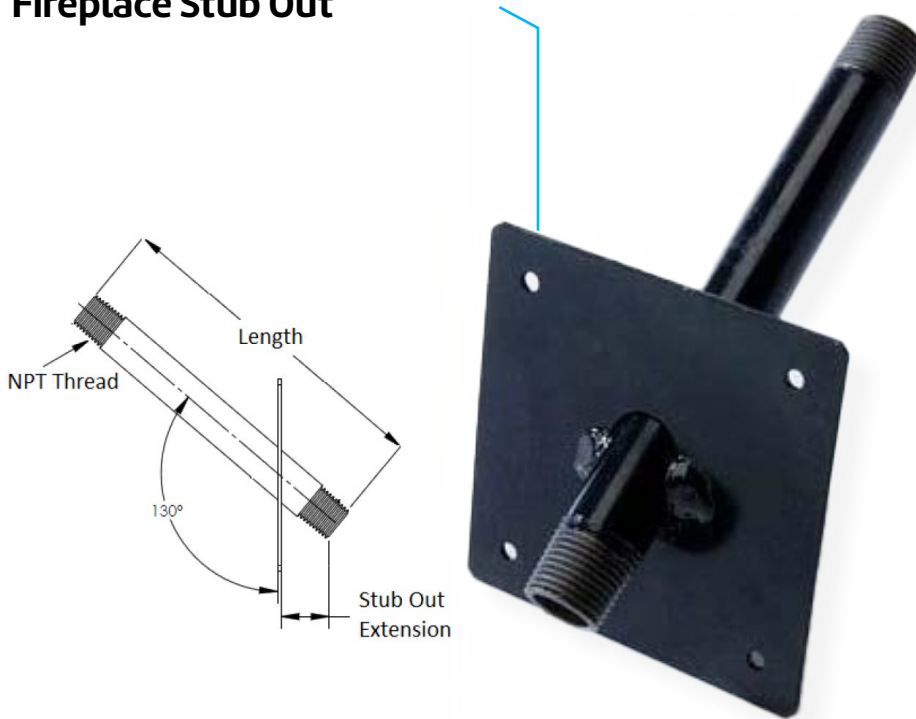


WARDFlex® Tubing & Components Fireplace Stub Out



The fireplace stub out is used to create a fixed termination point for a WARDFlex® mechanical fitting. It is used to make a safe connection to a firebox insert's controls, gas logs, or log lighters.

Features

- Fixed termination point with male NPT connections

Listings

- CSA: File # 112940_0_000
- IAPMO: File # 3353
- ICC: Report # ESR-1879

Technical Data

General

Certified Operating Pressure
25 psi

Materials

Stub Out Pipe
Schedule 40 Steel Pipe

Plate
14 Gauge Steel

Coating
Black Paint, except on threads

Dimensions

Price Sheet Item #	NPT Size	Length	Stub Out Extension	Plate Size	Approximate Weight (lbs)
950	1/2"	7"	1"	4" x 4"	1.36



PROJECT INFORMATION	APPROVAL STAMP
Project:	Approved
Address:	Approved as noted
Contractor:	Not approved
Engineer:	Remarks:
Submittal Date:	
Notes 1:	
Notes 2:	